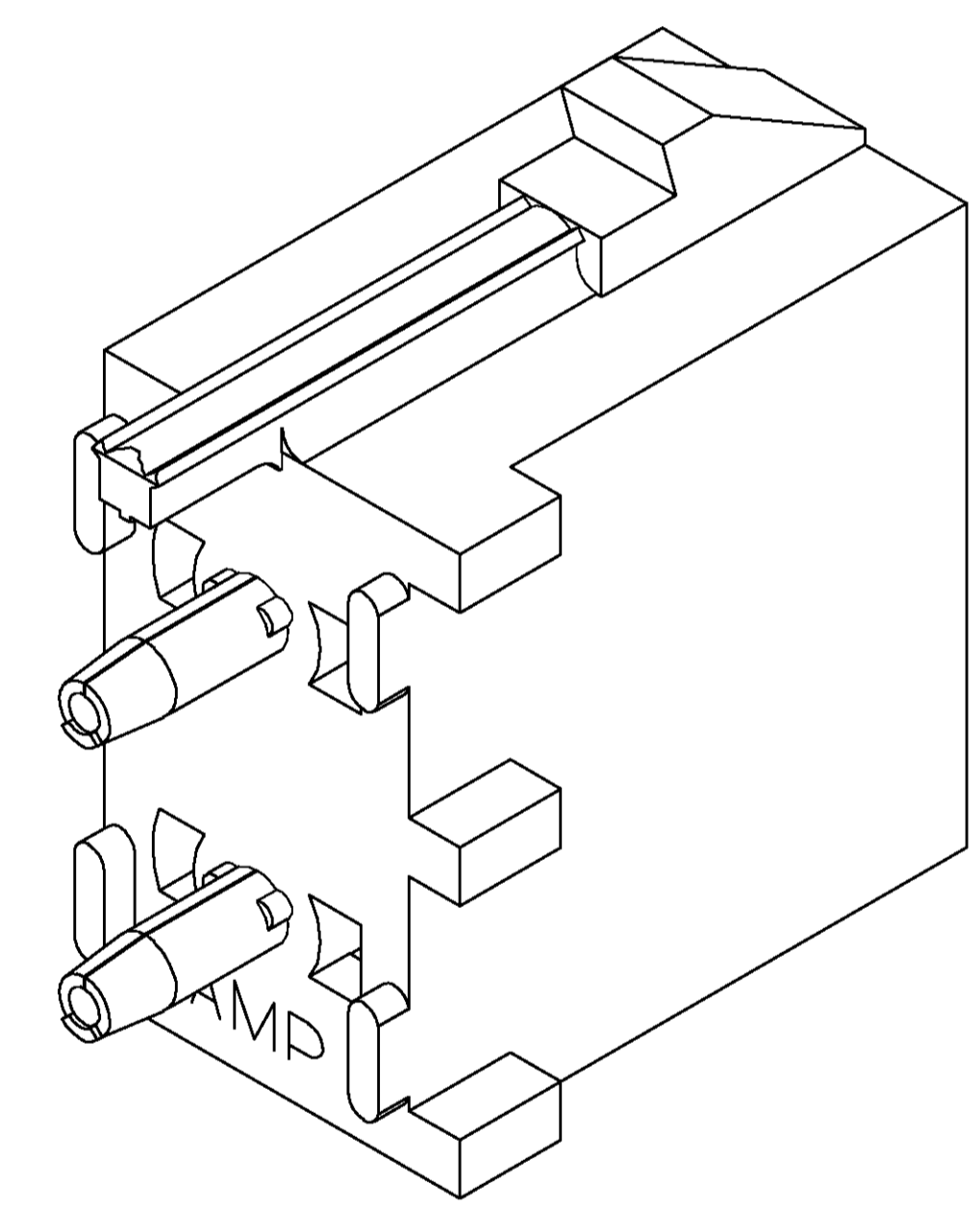
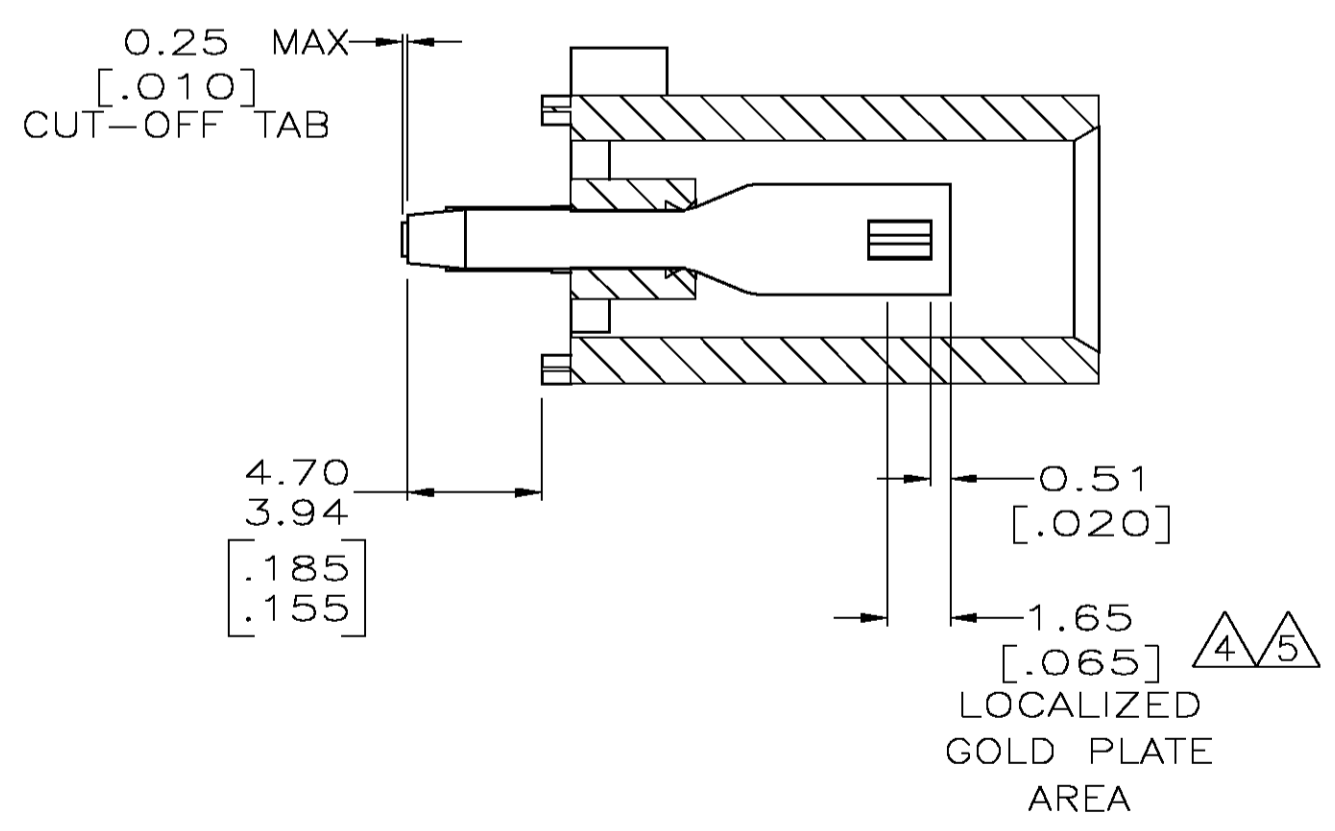
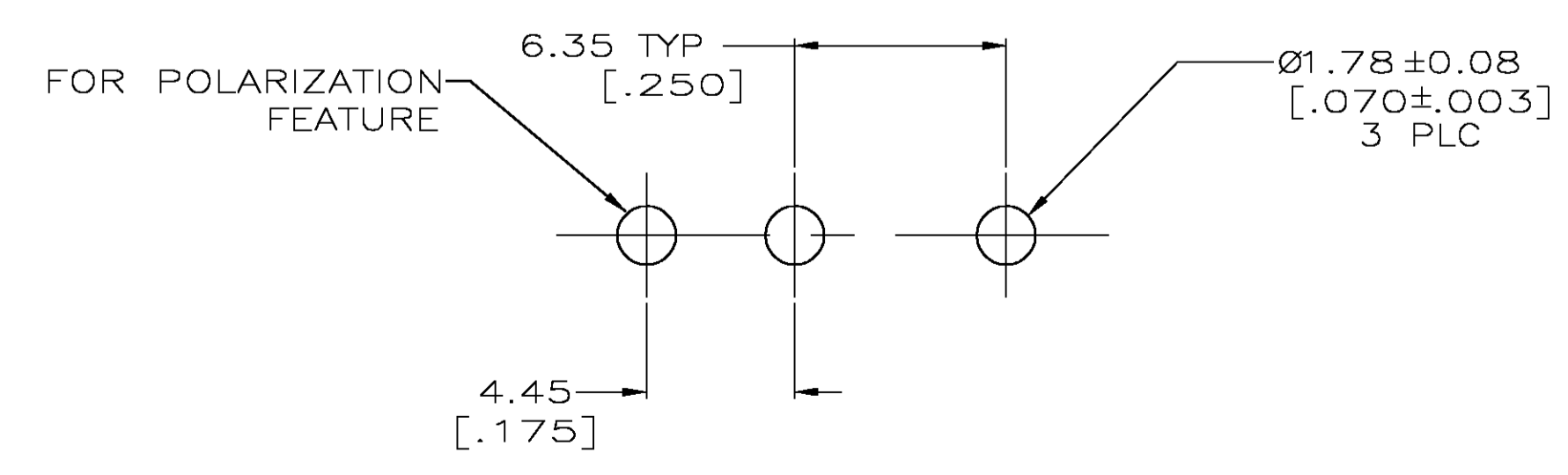


- PARTS COMPLY TO AMP SOLDERABILITY SPECIFICATION 109-11-3.
- △ CIRCUIT IDENTIFICATION CHARACTERS ARE ADJACENT TO THE INDICATED CAVITIES, BUT LOCATION AND ORIENTATION MAY DIFFER FROM PRINT.
- DIMENSIONS IN BRACKETS ARE IN INCHES.
- △ CONTACT IS STAMPED FROM PRE-PLATED STOCK WHICH IS PLATED OVERALL WITH 0.00127 - 0.00178 [.000050 - .000070] NICKEL, THEN STRIPED WITH 0.00076 [.000030] GOLD IN CONTACT AREA INDICATED AND MATTE TIN ON SOLDER TAIL END.
- △ CONTACT IS STAMPED FROM PRE-PLATED STOCK WHICH IS PLATED OVERALL WITH 0.00127 - 0.00178 [.000050 - .000070] NICKEL, THEN STRIPED WITH 0.00076 [.000030] GOLD IN CONTACT AREA INDICATED AND MATTE TIN ON SOLDER TAIL END.



3-DIMENSIONAL MODEL NTS



RECOMMENDED MOUNTING HOLE PATTERN FOR 1.57 [.062] THICK P.C. BOARD

| | | |
|-----------------------------|---------------------|-------------|
| PHOSPHOR BRONZE, GOLD △ | NYLON,UL94V-0,WHITE | 643412-3 |
| PHOSPHOR BRONZE, GOLD △ | NYLON,UL94V-0,WHITE | 643412-2 |
| PHOSPHOR BRONZE, PRE-TIN | NYLON,UL94V-0,WHITE | 643412-1 |
| CONTACT MATERIAL AND FINISH | HOUSING MATERIAL | PART NUMBER |



THIS DRAWING IS A CONTROLLED DOCUMENT.

| | | | | | |
|-------------------------|--|----------------------------|--------------------------|--------------------------|--|
| DIMENSIONS: mm [INCHES] | TOLERANCES UNLESS OTHERWISE SPECIFIED: | DIN L McEACHIN 07-JAN-2000 | APVD K COBLE 07-JUN-2000 | NAME K COBLE 07-JUN-2000 | TYCO Electronics Tyco Electronics Corporation Greensboro, NC 27409 |
| 0 PLC ± - | 1 PLC ± - | 2 PLC ± 0.13 [.005] | 3 PLC ± - | 4 PLC ± - | ANGLES ± 9±30' |
| MATERIAL SEE TABLE | FINISH SEE TABLE | SIZE A1 | CAGE CODE 00779 | DRAWING NO. 643412 | RESTRICTED TO |
| CUSTOMER DRAWING | | | | SCALE 5:1 | SHEET 1 OF 1 REV L |